

DJ140HP TECHNICAL SPECIFICATIONS



UNIT DETAILS

Maximum Rec. Power Continuous:	up to 560skW (750shp)
Maximum Rec. Power Sprint:	up to 670skW (900shp) ^{REFER NOTE: A}
Maximum Rec Impeller speed:	2250rpm
Dry Weight:	430 kg (complete waterjet including jet mounted hydraulic items)
Entrained Water:	95 kg
Loss of buoyancy	0.105m ³ (duct volume within hull bound)
Corrosion Protection:	Cathodic with Anodes
Design Standard:	To international authority standards

CONSTRUCTION DETAILS

Impeller:

Diameter:	380mm
No of Stages/Configuration:	Single Stage – Axial pump construction
Standard Rotation:	Anti-clockwise (Looking forward from stern)
Impeller Material:	Cast CF8M Stainless Steel

Pump Assembly:

Impeller Casing Material:	Cast ASTM A356 Alum. Alloy with stainless steel liner
Discharge Nozzle Material:	Cast ASTM A356 Alum. Alloy

Steering System:

Description	Balanced nozzle
Operation	Inboard tiller actuation
Steering Bowl/Nozzle Material:	Cast ASTM A356 Aluminium Alloy

Reverse System:

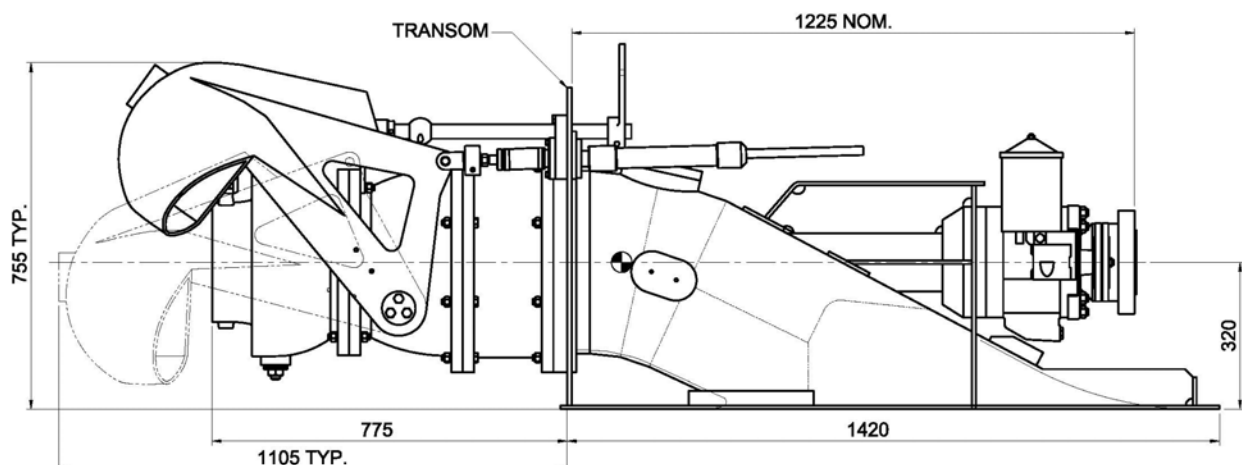
Description	Split Duct Type – “High Thrust”
Operation	Hydraulic with twin hydraulic cylinder actuation
Reverse duct material	Cast ASTM A356 & 5083 grade plate Aluminium

Shaft Assembly:

Main Shaft Material:	Stainless Steel Grade SAF 2205
Rear Bearing:	Water Lubricated Cutlass Bearing
Main Bearings:	Spherical roller Thrust Bearing Spherical roller Radial Bearing
Lubrication	Oil lubrication
Shaft Seal:	Face type Mechanical Seal
Coupling Flange:	GWB (DIN) Series to suit application
Shaft Angle	0 degrees standard - Custom shaft angles available

Intake Body:

Material:	5083 grade Aluminium
Inspection Opening:	Inboard
Intake Gate:	Removable Stainless Steel Bars



Note (A): Requires application approval by DOEN Pacific.
Due to our policy of continuous Research & Development, we reserve the right to change the specifications without notice