

DJ120 TECHNICAL SPECIFICATIONS



UNIT DETAILS

Maximum Rec. Power Continuous:	up to 380skW (510shp)
Maximum Rec. Power Sprint:	up to 447skW (600shp) ^(A)
Maximum Rec Impeller speed:	2800rpm
Dry Weight:	225 kg (complete waterjet including jet mounted hydraulic items)
Entrained Water:	45 kg
Loss of buoyancy	0.006m ³ (duct volume within hull bound)
Corrosion Protection:	Cathodic with Anodes
Design Standard:	To international authority standards

CONSTRUCTION DETAILS

Impeller:

Diameter:	12.2 inch (310mm)
No of Stages/Configuration:	Single Stage – Axial pump construction
Standard Rotation:	Anti-clockwise (Looking forward from stern)
Impeller Material:	Cast CF8M Stainless Steel

Pump Assembly:

Impeller Casing Material:	Cast ASTM A356 Alum. Alloy with stainless steel liner
Discharge Nozzle Material:	Cast ASTM A356 Alum. Alloy

Steering System:

Description	Balanced nozzle
Operation	Inboard tiller actuation
Steering Bowl/Nozzle Material:	Cast ASTM A356 Aluminium Alloy

Reverse System:

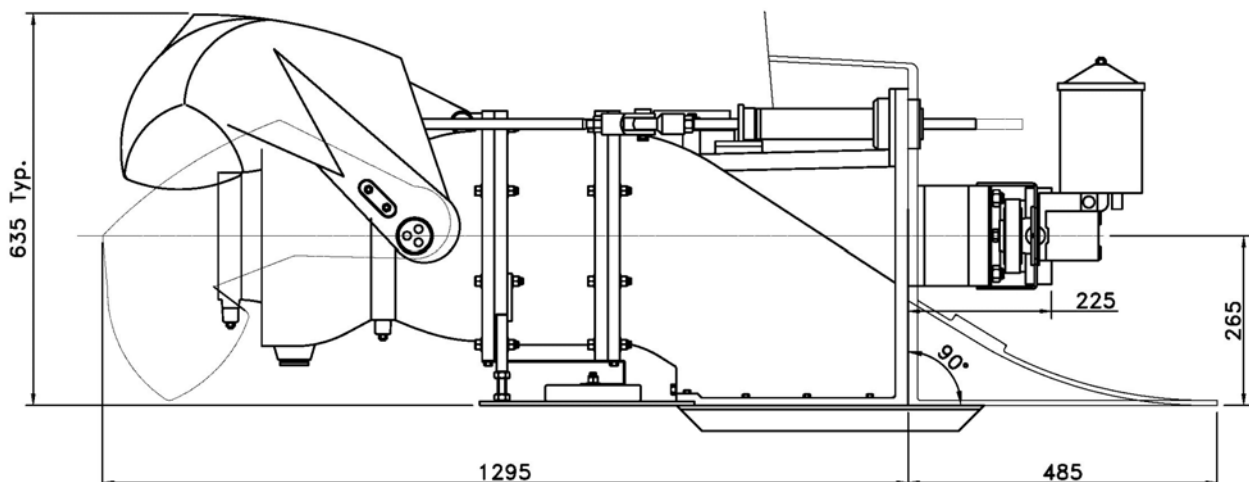
Description	Split Duct Type – “High Thrust”
Operation	Hydraulic cylinder actuation
Reverse duct material	Cast ASTM A356 Aluminium Alloy

Shaft Assembly:

Main Shaft Material:	Stainless Steel Grade SAF 2205
Rear Bearing:	Water Lubricated Cutlass Bearing
Main Bearing:	Angular contact Thrust Bearing
Lubrication	Grease
Shaft Seal:	Face type Mechanical Seal
Coupling Flange:	SAE Ø150 – 8Holes
Shaft Angle	0°

Intake Body:

Material:	Cast ASTM A356 Aluminium Alloy
Inspection Opening:	Outboard
Intake Grate:	Removable , Bar type



Note (A): Requires application approval by DOEN Pacific
Due to our policy of continuous Research & Development, we reserve the right to change the specifications without notice