

# DJ290 TECHNICAL SPECIFICATIONS



## UNIT DETAILS

Maximum Rec. Power Continuous:	Up to 2000skW (2680shp)
Maximum Rec. Power Sprint:	Up to 2400skW (3220shp) <small>REFER NOTE: A</small>
Maximum Rec Impeller speed:	1160rpm
Dry Weight:	2340 kg (complete waterjet including jet mounted hydraulic items)
Entrained Water:	710 kg
Loss of buoyancy	0.792 m <sup>3</sup> (duct volume within hull bound)
Corrosion Protection:	Cathodic with Anodes
Design Standard:	To international authority standards

## CONSTRUCTION DETAILS

### Impeller:

Diameter:	29 inch (736mm)
No of Stages/Configuration:	Single Stage – Axial pump construction
Standard Rotation:	Anti-clockwise (Looking forward from stern)
Impeller Material:	Cast CF8M Stainless Steel

### Pump Assembly:

Impeller Casing Material:	AISI 316 Stainless Steel
Discharge Nozzle Material	Cast CF8M & AISI 316 Stainless Steel

### Steering System:

Description	Balanced nozzle
Operation	Hydraulic with Inboard cylinder actuation
Steering Bowl/Nozzle Material:	Cast ASTM A356 Aluminium Alloy

### Reverse System:

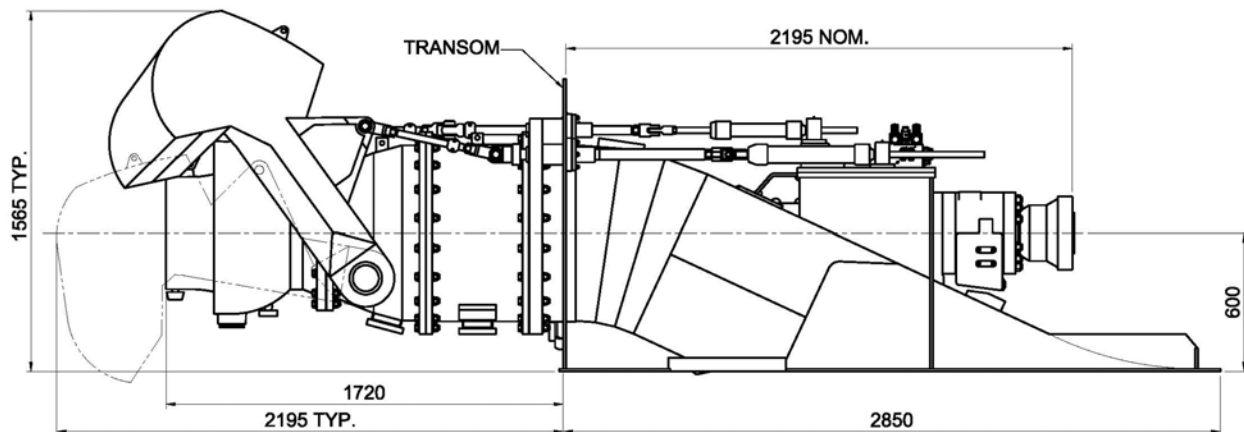
Description	Split Duct Type – “High Thrust”
Operation	Hydraulic with Dual Inboard cylinder actuation
Reverse duct material	Cast ASTM A356 & 5083 grade plate aluminium

### Shaft Assembly:

Main Shaft Material:	Stainless Steel Grade SAF 2205
Rear Bearing:	Water Lubricated Cutlass Bearing
Main Bearing:	Spherical roller Thrust Bearing Spherical roller Bearing - Radial
Lubrication	Oil lubrication with circulating pump
Shaft Seal:	Face type Mechanical Seal
Coupling Flange:	GWB Series to suit application
Shaft Angle	0 degrees standard – Custom shaft angles available

### Intake Body:

Material:	5083 grade plate aluminium
Inspection Opening:	Inboard
Intake Grate:	Removable Stainless Steel Bars



**Note (A):** Requires application approval by DOEN Pacific.  
Due to our policy of continuous Research & Development, we reserve the right to change the specifications without notice