

UNIT DETAILS

Maximum Rec. Power Continuous:	up to 1150skW (1540shp)
Maximum Rec. Power Sprint:	up to 1380skW (1850shp) <small>REFER NOTE: A</small>
Maximum Rec Impeller speed:	1525rpm
Dry Weight:	1050 kg (complete waterjet including jet mounted hydraulic items)
Entrained Water:	310 kg
Loss of buoyancy	0.325 m ³ (duct volume within hull bound)
Corrosion Protection:	Cathodic with Anodes
Design Standard:	To international authority standards

CONSTRUCTION DETAILS

Impeller:

Diameter:	22 inch (559mm)
No of Stages/Configuration:	Single Stage – Axial pump construction
Standard Rotation:	Anti-clockwise (Looking forward from stern)
Impeller Material:	Cast CF8M Stainless Steel

Pump Assembly:

Impeller Casing Material:	Cast ASTM A356 Alum. Alloy with stainless steel liner
Discharge Nozzle Material	Cast ASTM A356 Alum.

Steering System:

Description	Balanced nozzle
Operation	Hydraulic with Inboard tiller actuation
Steering Bowl/Nozzle Material:	Cast ASTM A356 Aluminium Alloy

Reverse System:

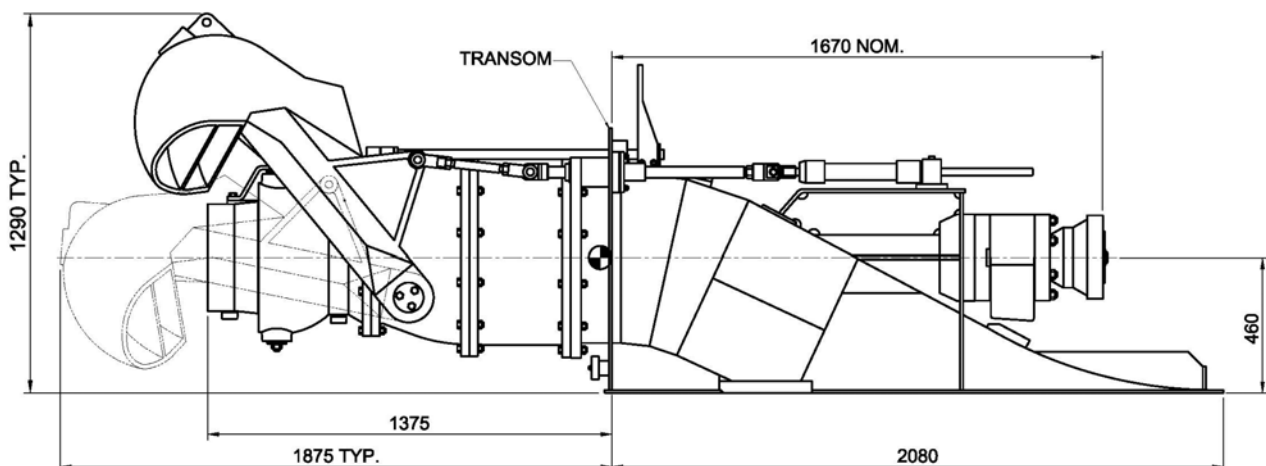
Description	Split Duct Type – “High Thrust”
Operation	Hydraulic with Twin Inboard cylinder actuation
Reverse duct material	Cast ASTM A356 & 5083 grade plate aluminium

Shaft Assembly:

Main Shaft Material:	Stainless Steel Grade SAF 2205
Rear Bearing:	Water Lubricated Cutlass Bearing
Main Bearing:	Spherical roller Thrust Bearing
	Spherical roller Bearing - Radial
Lubrication	Oil lubrication
Shaft Seal:	Face type Mechanical Seal
Coupling Flange:	GWB Series to suit application
Shaft Angle	0 degrees standard – Custom shaft angles available

Intake Body:

Material:	5083 grade plate aluminium
Inspection Opening:	Inboard
Intake Grate:	Removable Stainless Steel Bars



Note (A): Requires application approval by DOEN Pacific.
 Due to our policy of continuous Research & Development, we reserve the right to change the specifications without notice