

DJ200 TECHNICAL SPECIFICATIONS



UNIT DETAILS

| | |
|--------------------------------|------------------------------------------------------------------|
| Maximum Rec. Power Continuous: | up to 1000skW (1340shp) |
| Maximum Rec. Power Sprint: | up to 1150skW (1610shp) ^{REFER NOTE: A} |
| Maximum Rec Impeller speed: | 1650rpm |
| Dry Weight: | 875 kg (complete waterjet including jet mounted hydraulic items) |
| Entrained Water: | 220 kg |
| Loss of buoyancy | 0.275m ³ (duct volume within hull bound) |
| Corrosion Protection: | Cathodic with Anodes |
| Design Standard: | To international authority standards |

CONSTRUCTION DETAILS

Impeller:

| | |
|-----------------------------|---------------------------------------------|
| Diameter: | 520mm |
| No of Stages/Configuration: | Single Stage – Axial pump construction |
| Standard Rotation: | Anti-clockwise (Looking forward from stern) |
| Impeller Material: | Cast CF8M Stainless Steel |

Pump Assembly:

| | |
|---------------------------|-------------------------------------------------------|
| Impeller Casing Material: | Cast ASTM A356 Alum. Alloy with stainless steel liner |
| Discharge Nozzle Material | Cast ASTM A356 Alum. |

Steering System:

| | |
|--------------------------------|-----------------------------------------|
| Description | Balanced nozzle |
| Operation | Hydraulic with Inboard tiller actuation |
| Steering Bowl/Nozzle Material: | Cast ASTM A356 Aluminium Alloy |

Reverse System:

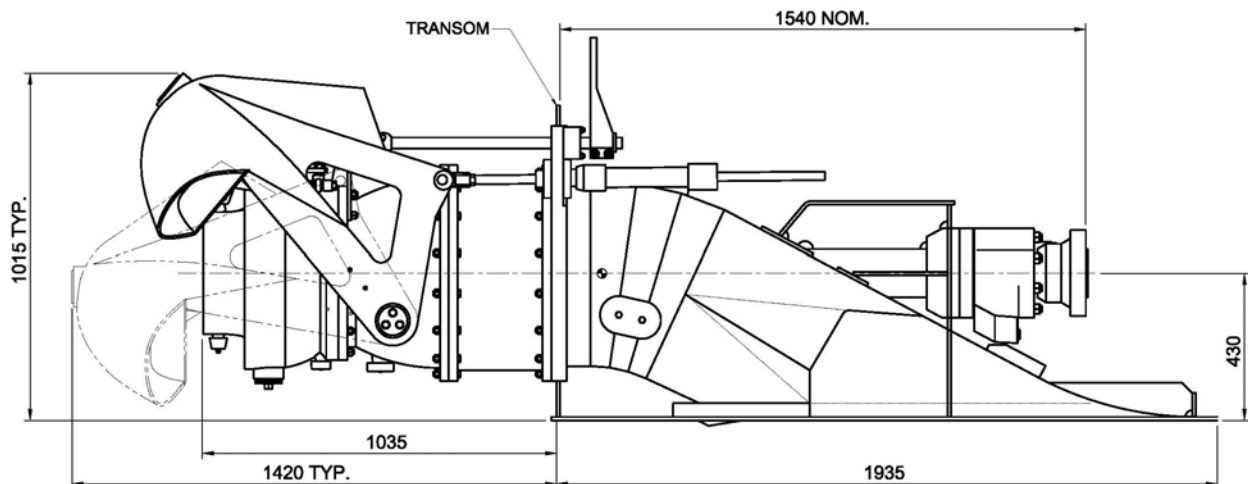
| | |
|-----------------------|------------------------------------------------|
| Description | Split Duct Type – “High Thrust” |
| Operation | Hydraulic with twin Inboard cylinder actuation |
| Reverse duct material | Cast ASTM A356 & 5083 grade plate aluminium |

Shaft Assembly:

| | |
|----------------------|----------------------------------------------------------------------|
| Main Shaft Material: | Stainless Steel Grade SAF 2205 |
| Rear Bearing: | Water Lubricated Cutlass Bearing |
| Main Bearing: | Spherical roller Thrust Bearing Spherical roller Bearing - Radial |
| Lubrication | Oil lubrication |
| Shaft Seal: | Face type Mechanical Seal |
| Coupling Flange: | GWB Series to suit application |
| Shaft Angle | 0 degrees standard – Custom shaft angles available |

Intake Duct:

| | |
|---------------------|--------------------------------|
| Material: | 5083 grade plate aluminium |
| Inspection Opening: | Inboard |
| Intake Grate: | Removable Stainless Steel Bars |



Note (A): Requires application approval by DOEN Pacific
Due to our policy of continuous Research & Development, we reserve the right to change the specifications without notice